

Coming soon

Industrial PC for embedded servers

BX-100n: *Ultra Slim PC with HDD*

A Box computer with mass storage in ultra slim design

Ideal for space-saving server!



Windows XP professional

Windows XP Pro pre-installed. Optional RAID1 (mirroring) function for system and data storage protection using a 2-drive configuration

Wide-temperature HDD

Expanded operating temperature is guaranteed through use of wide temperature HDD.

Standard - 5 to 45°C =>

Wide temperature - 0 to 50°C

Eco-friendly & space-saving

Compact chassis provides an ideal space-saving server for embedded use. Eco-friendly – low power consumption, energy-saving design.

Sealed Chassis

This fan-less, sealed chassis box pc was designed using Intel's low-power / high-performance Atom CPU. It provides a high performance, maintenance-free system.

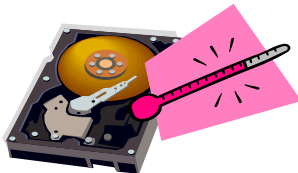
Windows XP Professional

System featuring Windows XP Professional preinstalled is available. Optional RAID1 (mirroring) function offers system and data storage protection when using a 2-drive configuration.



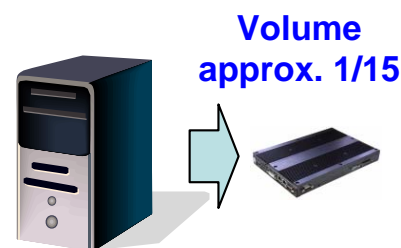
Wide-temperature HDD

A system's operating temperature affects the HDD operating temperature. Use of a wide-temperature HDD provides support for operating temperatures from 0-50°C.



Space-saving

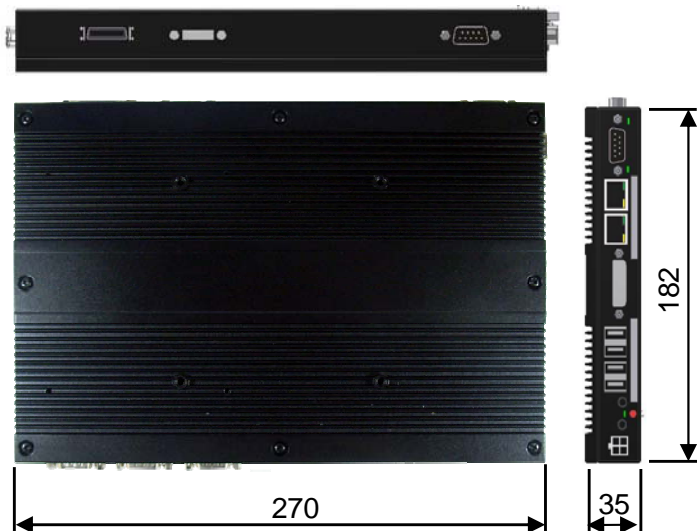
Compared to standard mid-tower PC



**Call for
OEM / ODM or
Customization**

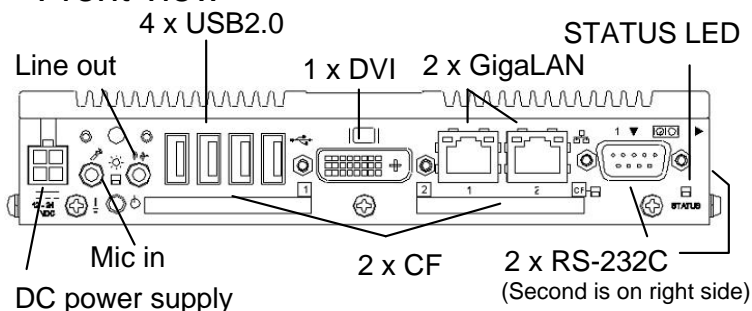
<http://www.contec.com>

External dimensions

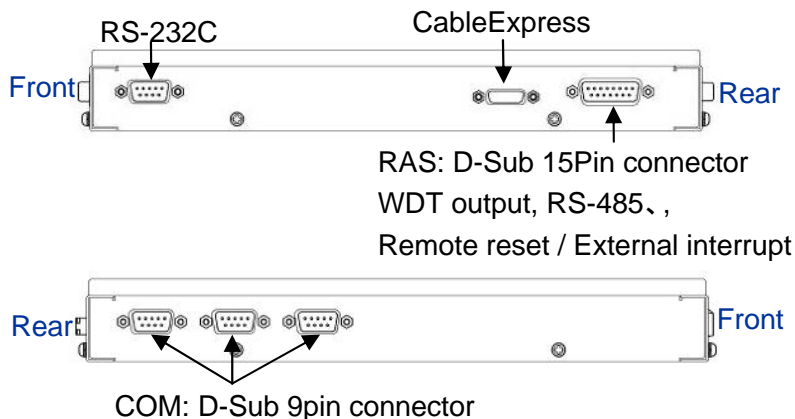


Interfaces

Front view



Side view



BX100n common

Item	Specifications
CPU	Intel Atom N270 1.60GHz / FSB533MHz
Chipset	Intel 945GSE + ICH7M
Memory	DDR2 1GB SO-DIMM (Up to 2GB)
Graphics (Select DVI or HDMI)	DVI-I I/F (RGB resolution) 640 x 480*1, 800 x 600*1, 1,024 x 768 *1, 1,152 x 864, 1,280 x 600, 1,280 x 720, 1,280 x 768 *1, 1,280 x 960, 1,280 x 1,024 *1, 1,360 x 768 *1, 1,400 x 1,050 *1, 1,600 x 900, 1,600 x 1,200, 1,856 x 1,392, 1,920 x 1,080, 1,920 x 1,200 (1.677M colours)
	HDMI I/F (Optional) (640 x 480 – 1600 x 1200)
LAN	2 x 10/100/1000 BASE-T
Wireless LAN (Optional)	IEEE802.11a/11b/11g/11n
USB	4ch x USB2.0
Serial	2ch x RS232C
AUDIO (AC'97 or HD Audio)	Line out (AC'97) or HD Audio (Exclusive of AC'97 when using HDMI) Mic input (AC'97 compliant)
Storage	2 x CF Type I
External dimensions	182(D) x 270(W) x 35(H) (mm)
Power supply	12-24V DC \pm 5% (rating)

BIOS

Item	Specifications
Power management	ACPI 2.0 compliant (ATX type) Wake On LAN, Wake On Ring, Resume By Alarm
Boot from	Each device including USB memory
APIC mode	Compliant with APIC mode only
Alarms	Beep at high temperature
Hardware Monitor	Monitors CPU and board temperature, power supply voltage
BIOS setting protection	Loads user customized settings if system battery is discharged
CPU protection	Thermal monitor function (Clock down at 100° C)

BX100n HDD Model [IPC-BX100n-DC5xxx-C01]

Item	Specifications
HDD	1 x 2.5" SATA HDD (40GB) on-board (std.) Supports x2 internal HDD (optional)
RAID (Optional)	Supports RAID with two drive configuration RAID Modes: RAID1 (Mirroring), Raid 0 (Striping)
HDD drive bay	Easy installation / removal with slot-in bay mechanism
RAS function	· GPIO: Opto-isolated 3ch input / 3ch output · WDT time-up notify (shares 1 GP output port) · 1 x RS-485

BX100n I/O Model [IPC-BX100n-DC5xxx-C02]

Item	Specifications	
Analog Input/Output	AI	Resolution: 16bit, Channels: SE 32ch, differential 16ch Conversion speed: 2 μ sec/ch (max.)
	AO	Resolution: 16bit, Channels: 2ch Conversion speed: 10 μ sec/ch (max.)
	Same as AIO-163202F-PE	
Digital Input/Output	DI	16 ch, Opto-coupler Isolated input
	DO	16 ch, Opto-coupler Isolated output
	Same as GDIO-1616L-PE	
Counter input	4ch 32bit up/down counter (two-phase/single-phase/single-phase with Gate Control) Same as CNT-3204MT-LPE	