

Measurement Solutions

MSPT71 Series Smart Pressure Transmitter

100:1 Turn-Down, High Over-Pressure



MSPT71 Series of Pressure Transmitters are microprocessor based instruments.
 Auto Temp Comp, Linearization, Integral Display.

HART / Modbus Options

Measure gauge, vacuum, compound or absolute pressure
 in ranges of Vacuum to 5,800 PSI.

Turn-down ratio of 100:1, with the zero & span adjustments, allows maximum flexibility.

The 4-digit LCD indicator displays the measured reading, in engineering units or %FS.

Pressure measurement ranges (PSI):

Range p/n	Smallest Span	Lower Range	Upper Range	Over-Pressure
001	0.01	-1	1	3,600
05.8	0.06	-5	5.8	3,600
036	0.36	-15	36	3,600
145	1.45	-15	145	3,600
435	4.35	-15	435	3,600
1.4K	14	-15	1,400	3,600
5.8K	58	-15	5,800	6,000

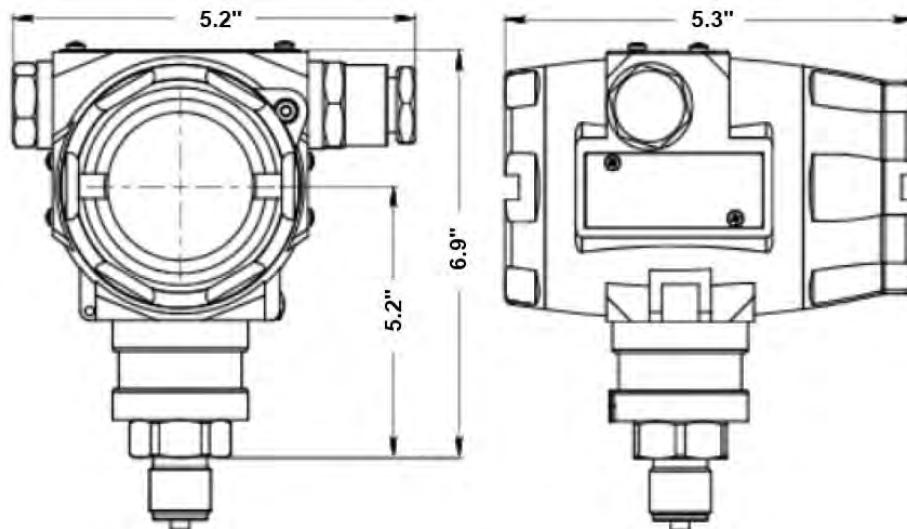
Materials: Wetted materials: 304 Stainless steel (Options: 316SS; Hastelloy; Titanium; etc...)
 Housing materials: Die cast aluminum, epoxy coated.

Specifications:

Excitation Voltage: 12 - 36 VDC;
Excitation Current: 2.5 mA maximum;
Output Signal: 4-20 mA (2-wire) (option: HART);
Accuracy: +/- 0.075% FS Upper Range (option: 0.05%)
(RSS non-linearity, non-repeatability, & hysteresis);
Temperature Range, Compensated: 0 to +70 C;
Temperature Range, Operating: -40 to +80 C;
Long-term Stability: 0.1% FS / year;
Environmental Protection: IP67
Short-circuit, and Reverse Polarity protected.

Pressure Port: 1/2" NPT Male (option: G1/2, 1/2 BSP, others, etc...).

Dimensions:



Ordering Information:

MSPT50-[range][reference]-[output]-[fitting]-[option1]-[option2]

Example 1: 145 PSI range, atmospheric reference, 4-20mA output,
1/2" NPT Male pressure port, 0.05% static error band, HART communications:
P/N: MSPT71-145PG-mA-12NM-0.05%-HART

Please make Purchase Order, and, REMIT to:

Measurement Solutions
6042 E. Vermillion Cir.
Mesa, AZ 85215
480-897-0300
orders@measol.com
www.MEASOL.com

Specifications subject to change without notice