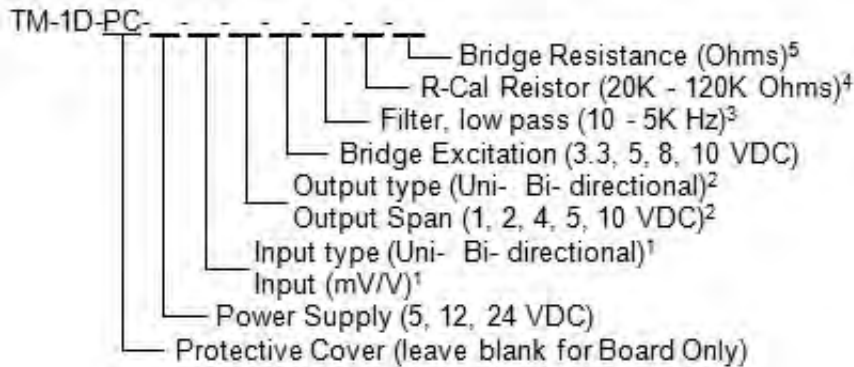


PART NUMBERS / OPTIONS



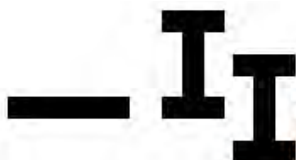
Notes: Not all possible combinations are valid.

Standard Configuration: p/n: TM-1D-PC (same as: TM-1D-PC-12-3B-5B-8-11-40-350).

Includes:

12 VDC Power Supply; 50 Hz Low Pass Filter;
 3 mV/V Bi-directional Input; 40K Ohm R-Cal Resistor;
 5 VDC Bi-directional Output; 350 Ohm Bridge Resistance
 8 VDC Bridge Excitation;

- 1) Input: Standard: 3B (2-4 mV/V with up to +/-5 VDC Output)
 Custom Range: 0.5 to +/-10.5 mV/V
 U: Uni-directional B: Bi-Directional
 Ex: 1U = 0 to +1 mV/V; 10B = +/-10 mV/V
- 2) Output: Standard: 5B (+/-1 to +/- 5 VDC, with 8 VDC Bridge Excitation)
 Custom Span: 1 to +/-18 VDC (0-9 max uni-directional)
 U: Uni-directional B: Bi-Directional
 Ex: 8U = 0 to +8VDC; 18B = +/-9VDC
- 3) Filter: 2-pole Butterworth, low pass: Standard: 11 (11 Hz cut off frequency)
 Custom filter: 55; 100; 1K; 5K; NF (>7000); anything from 1 to 5000 Hz.
- 4) R-Cal Resistor: Precision metal film, low TempCo
 Standard values:
 1 mV/V, 87.325K Ohm 2 mV/V, 43.575K Ohm 3 mV/V, 40K Ohm
 1 mV/V, 120K Ohm 2 mV/V, 60K Ohm 4 mV/V, 30K Ohm
- 5) Bridge Resistance:
 Standard: 350 (allows ~30% Zero offset for 120 to 1000 Ohm Bridges)
 Custom: Allows ~30% Zero offset Bridge Resistances up to 10K Ohm.



IMPERIAL INSTRUMENTS / Measurement Solutions

ImpInst@MeaSol.com www.MEASOL.com 480-897-0300 Rev.0