

Measurement Solutions 1000 Series Pressure Transducers Amplified Output



Pressure measurement ranges (PSI):

Vacuum, 15, 30, 100, 300, 500, 1000, 3000, 5000, 10K, 20K, 30K (other ranges available).
Reference: Absolute, Gauge, Compound, or, Sealed Gauge.

Specifications:

Excitation: 9-36 VDC;
Output: 0-5 VDC; 0-10 VDC; 4-20 mA;
Accuracy: +/- 0.25%, or, +/-0.5% FS (RSS non-linearity, non-repeatability, & hysteresis);
Over-Pressure: Proof 150% FS; Burst 300% (other options available);
Response Time: 20 mSec;
Thermal Effects: Zero / Span shift: 0.02%FS / F,
Temp Comp Range: +15 to +165 F (Operating Range: 0 to 175 F).
Long-term Stability: 0.2%FS / 1 year
Fatigue Life: 100 Million Cycles.
Vibration: 20G max to 1000 Hz.

Pressure Port: 1/4" NPT (other ports available: 1/8" NPT, SAE, AN, etc...);
20K and higher ranges have HF-4 (9/16-18 Female).

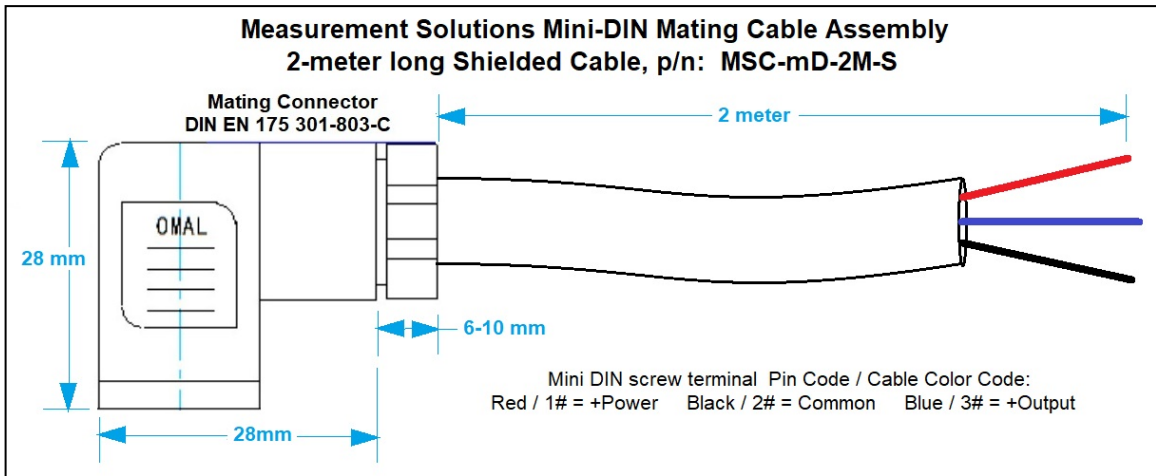
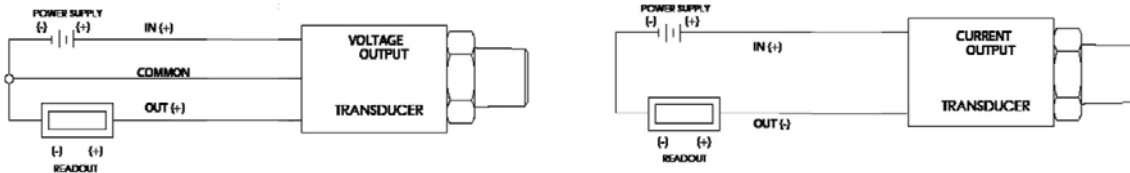
Wetted materials:

standard: Stainless Steel or Ceramic, with FKM (Viton) O-Ring;
'W'- Welded Stainless Steel, no O-Ring (under 1000 psi ranges);
'S' - One-Piece Stainless Steel, no O-Ring (1K and higher ranges);

Electrical: (other connectors available).

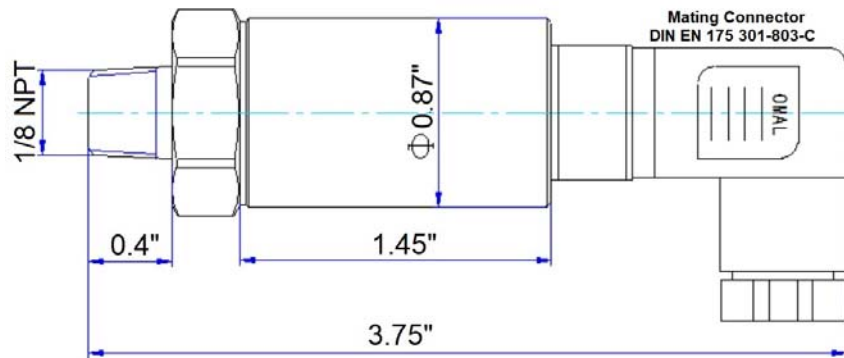
1.5M: 1.5 meter long integral Cable M12: Circular metric thread;
mDN: Mini DIN (with screw terminals); P: Packard automotive (mates with Delphi 150)

Wiring diagram:



Dimensions (Typical, depending on exact p/n):

3.75" Max length x 0.87" diameter 'S' (0.95" for 'W' or 'Mini-DIN').



Ordering Information:

MSPT10[sensor]-[range][reference]-[output]-[fitting]-[electrical]-[option1]-[option2]

Example 1: One-piece Stainless, 10000 PSI range, Sealed Gauge reference, 0-5 VDC output, 1/4" NPT Male pressure port, 1.5 Meter long Integral Cable, and, 0.25% error band:
 P/N: MSPT10S-10KPSG-05V-14NM-1.5M-0.25

Specifications subject to change